

715-BD Series

The newest easy-to-use feature is the patented Tilt-Head, which enables the user to tilt the x-ray source.

Tilt-Head units:

- Eliminate the need to rotate the patient for the DP view
- Patient support rail allows access from side or front
- Eliminate the need to rotate the arm for the AP view
- Eliminate the need to readjust the collimator lateral views
- Enable wheelchair patients to be easily accommodated without having to leave the wheelchair
- Feature the low voltage expose switch with optional remote key box
- Include features that can meet ADA guidelines (consult your accountant)
- 3.5-inch base height
- 29-inch SID
- Available in white

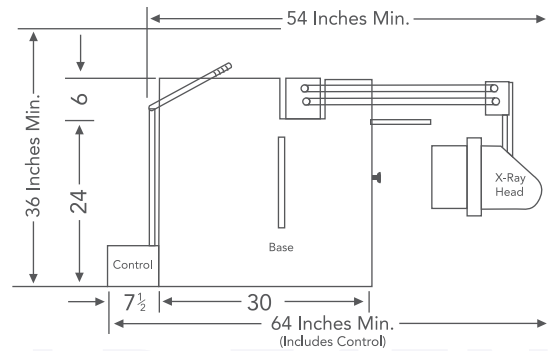


CONTINUING THE TRADITION

www.xcelxray.com • 800.441.2470
4220 Waller Street • Crystal Lake, IL 60012

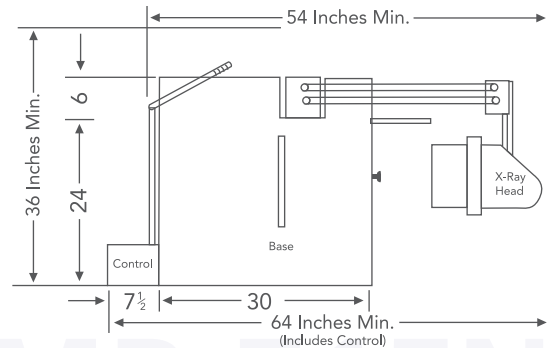
LB-715NT

- 28" SID
- Space saver
- Both laterals possible
- 3.5" base



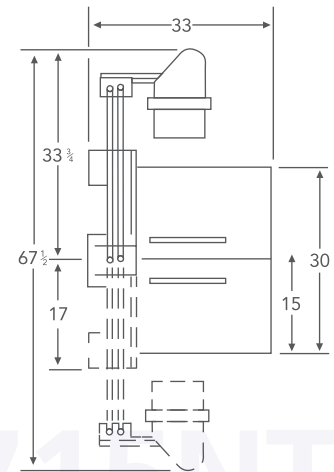
MB-715NT

- 28" SID
- Space saver
- Both laterals possible
- 6" base



FB-715NT

- 28-inch SID
- Saves floor space
- 3.5-inch base height
- Fits between wall and chair
- Min. space required: 34" x 51"
- Both laterals possible
- Folds to 18 inches wide
- 15 mA
- 50-70 kVp
- Available in white



QUALITY · RELIABILITY · EXCELLENCE

www.xcelxray.com • 800.441.2470

4220 Waller Street • Crystal Lake, IL 60012